



Hands-Free Floor Mount Stainless Steel Sink

Model	Flow-Rate
725FK1	Standard 2.0 GPM
725FK1.5	Low-Flow 0.5 GPM

Product Specifications

Hands-Free operation is ideal for use in food service applications. Built to last using 16-gauge, type 304 stainless steel. Exposed surfaces have a satin finish. Specially designed foot valve provides easy access to working parts without disconnecting mount or plumbing.

Outside Dimensions	20" x 17-1/2" x 43-1/2" High
Inside Bowl Size	17" x 14" x 7" Deep
Back Splash Height	9-1/2"
Water Activation	Single Knee Pedal Valve
Flow Rate	2 GPM
Inlet Connections	3/8" Male Compression
Drain Opening	2"
Finish	Satin
Strainer	1-1/2" Dia. Duo Basket Strainer

Includes

- (1) Floor mount sink
- (1) Leg assembly set
- (4) Washers and nuts for connection sink to leg assembly set
- (1) Single knee pedal valve (bottom mount) with 2 nuts
- (1) Swivel gooseneck spout with aerator
- (1) Connecting tube for valve to spout connection
- (2) Fittings, brass, 0.375" male compression and 0.375" male NPT
- (1) Mixing check valve
- (1) Strainer assembly with basket

Product Compliance

NSF/ANSI 2 Food Equipment
NSF/ANSI 372 Low-Lead



Part: _____ Quantity: _____

Project: _____

Contact: _____

Date: _____

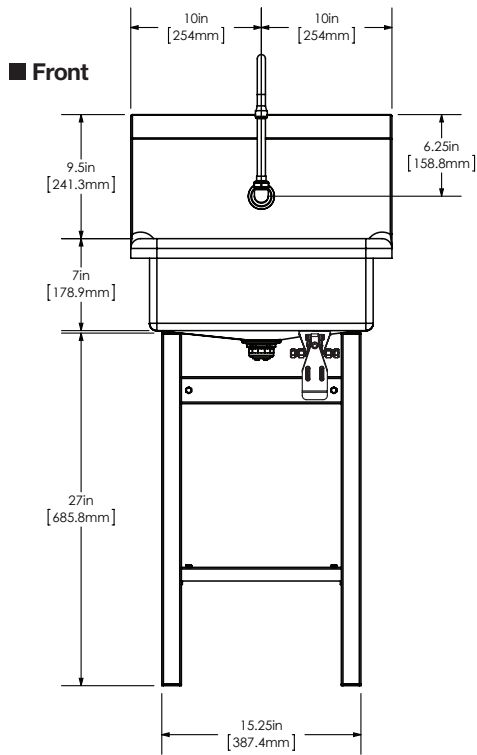
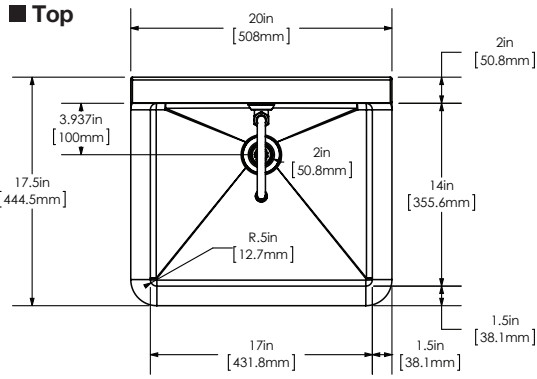
Approval: _____

Notes:

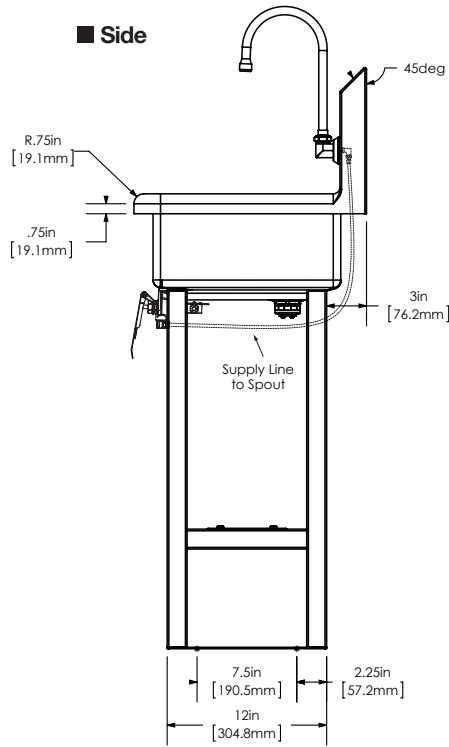
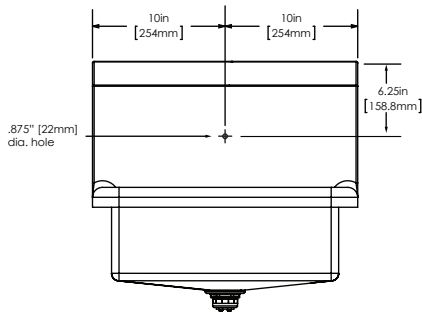


WARNING: Equipment that include faucets on this page may contain a chemical known to the State of California to cause cancer, birth defects or other reproductive harm.

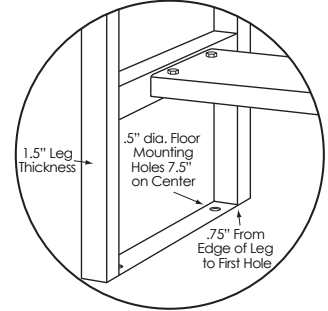
**Hands-Free Floor Mount Stainless Steel Sink
Models 725FK1 and 725FK1.5**



Hole Configuration



Floor Mounting Detail



Supply Line Detail

