



**Hands-Free Stainless Steel Floor Mount Sink**

Model	Flow-Rate
725	Standard 2.0 GPM
725-0.5	Low-Flow 0.5 GPM

**Product Specifications**

Hands-Free operation is ideal for use in food service applications. Built to last using 16-gauge, type 304 stainless steel. Exposed surfaces have a satin finish. Specially designed foot valves provide easy access to working parts without disconnecting mount or plumbing.

Outside Dimensions	20" x 17-1/2" x 43-1/2" High
Inside Bowl Size	17" x 14" x 7" Deep
Back Splash Height	9-1/2"
Water Activation	Double Foot Pedal Valve
Flow Rate	2 GPM
Inlet Connections	1/2" Male NPT
Drain Opening	2"
Finish	Satin
Strainer	1-1/2" Dia. Duo Strainer Assembly

**Includes**

- (1) Floor mount sink
- (1) Leg assembly set
- (4) Washers and nuts for connection sink to leg assembly set
- (1) Double foot pedal valve (bottom mount) with 2 nuts
- (1) Swivel gooseneck spout with aerator
- (1) Connecting tube for valve to spout connection
- (2) Fittings, brass, 0.375" male compression and 0.375" male NPT
- (1) Strainer assembly with basket

**Product Compliance**

NSF/ANSI 2 Food Equipment  
NSF/ANSI 372 Low-Lead



Part: \_\_\_\_\_ Quantity: \_\_\_\_\_

Project: \_\_\_\_\_

Contact: \_\_\_\_\_

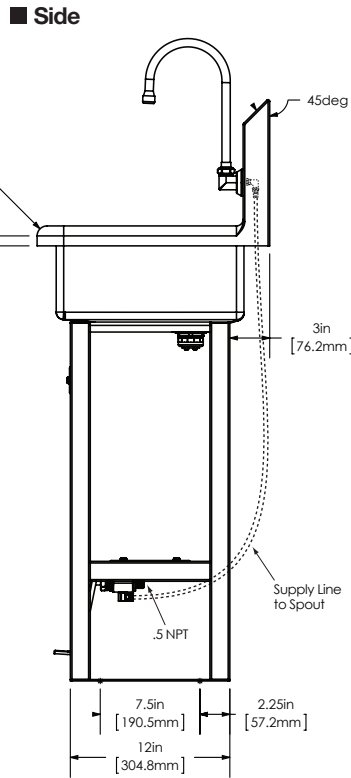
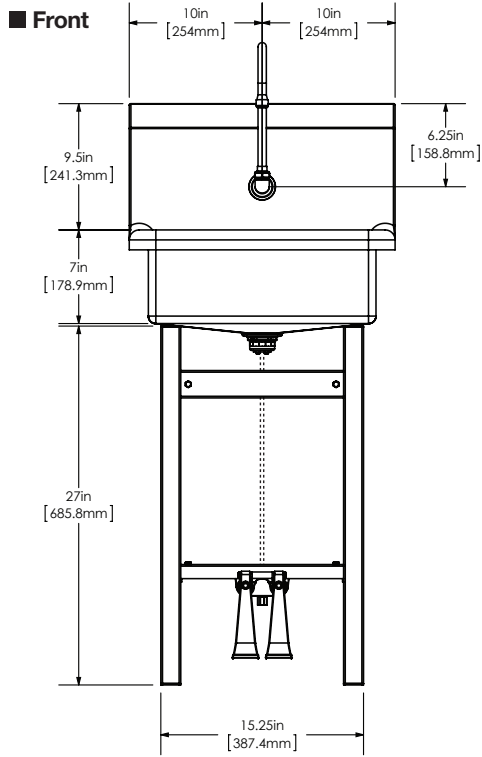
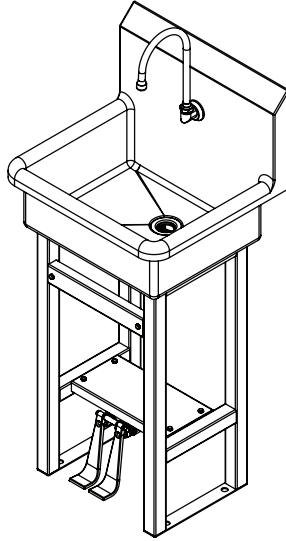
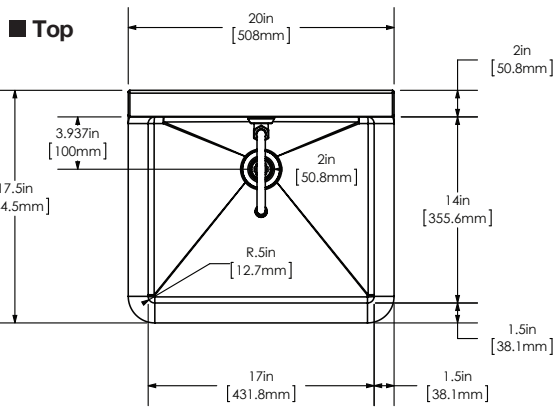
Date: \_\_\_\_\_

Approval: \_\_\_\_\_

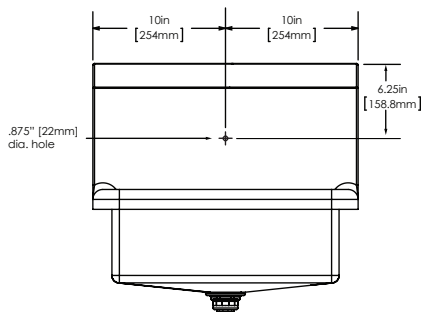
Notes:



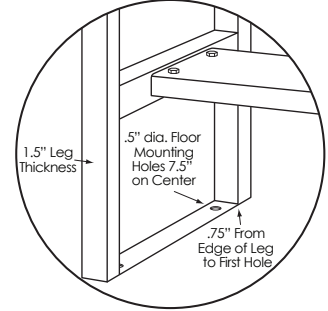
**Hands-Free Stainless Steel Floor Mount Sink  
Models 725 and 725-0.5**



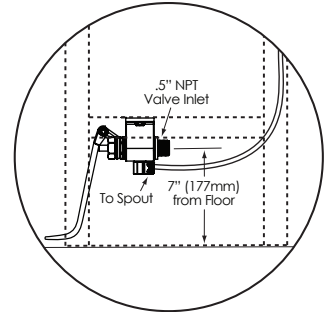
**Hole Configuration**



**Floor Mounting Detail**



**Plumbing Detail**



**Supply Line Detail**

