

**Wall Mount Stainless Steel Sink**

<b>Model</b>
7050

**Product Specifications**

Built to last using 16-gauge, type 304 stainless steel. Exposed surfaces have a satin finish.

Outside Dimensions	20" x 17-1/2" x 16-1/2" High
Inside Bowl Size	17" x 14" x 7" Deep
Back Splash Height	9-1/2"
Faucet Mounting Hole	7/8" Dia.
Drain Opening	2"
Finish	Satin
Strainer	1-1/2" Dia. Duo Basket Strainer
Wall Mounting Bracket	1/4" Dia. Mounting Holes

**Includes**

- (1) Wall mount sink
- (1) Wall-mounting bracket
- (2) Support brackets
- (1) Strainer assembly with basket

**Product Compliance**

NSF/ANSI 2 Food Equipment



Part: \_\_\_\_\_ Quantity: \_\_\_\_\_

Project: \_\_\_\_\_

Contact: \_\_\_\_\_

Date: \_\_\_\_\_

Approval: \_\_\_\_\_

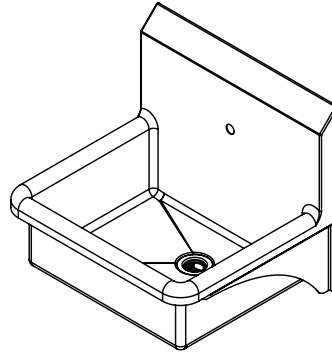
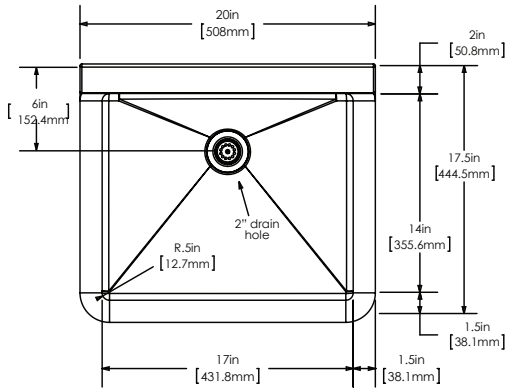
Notes:



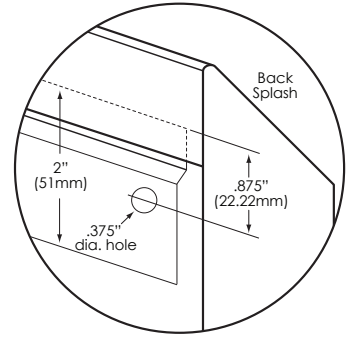
**WARNING:** Equipment that include faucets on this page may contain a chemical known to the State of California to cause cancer, birth defects or other reproductive harm.

**Wall Mount Stainless Steel Sink  
Model 7050**

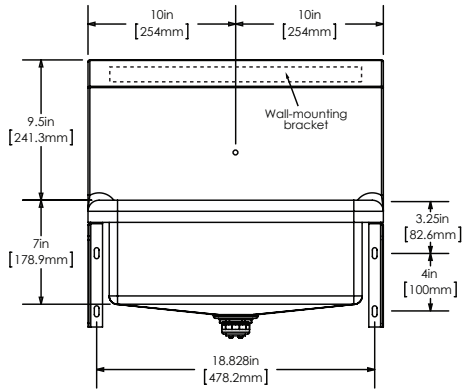
■ **Top**



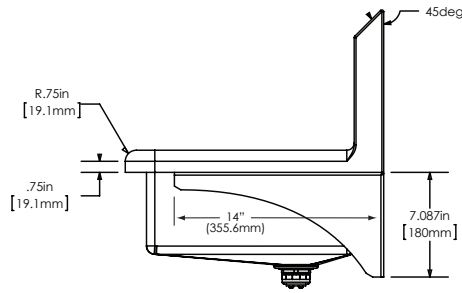
■ **Wall Mounting Detail**



■ **Front**



■ **Side**



■ **Hole Configuration**

