

Hands-Free Wall Mount Stainless Steel Sink

Model	Flow-Rate
5A4	Standard 2.0 GPM
5A4-0.5	Low-Flow 0.5 GPM

Product Specifications

Hands-Free operation is ideal for use in food service applications. Built to last using 16-gauge, type 304 stainless steel. Exposed surfaces have a satin finish. Specially designed knee valves provide easy access to working parts without disconnecting mount or plumbing.

Outside Dimensions	22" x 19" x 14" High
Inside Bowl Size	19" x 15-1/2" x 5" Deep
Back Splash Height	9"
Water Activation	Double Knee Pedal Valve
Flow Rate	2 GPM
Inlet Connections	3/8" Male Compression
Drain Opening	2"
Finish	Satin
Strainer	1-1/2" Dia. Duo Basket Strainer
Wall Mounting Bracket	1/4" Dia. Mounting Holes

Includes

- (1) Wall mount sink
- (1) Double knee pedal valve with 2 nuts
- (1) Swivel gooseneck spout with aerator
- (1) Connecting tube for valve to spout connection
- (2) Fittings, brass, 0.375" male compression and 0.375" male NPT
- (1) Wall-mounting bracket
- (2) Support brackets with 4 mounting bolts
- (1) Strainer assembly with basket

Product Compliance

NSF/ANSI 2 Food Equipment
NSF/ANSI 372 Low-Lead



Part: _____ Quantity: _____

Project: _____

Contact: _____

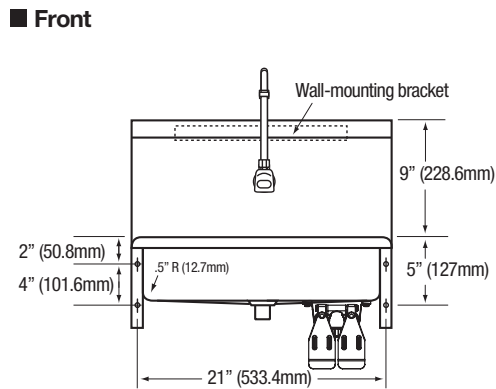
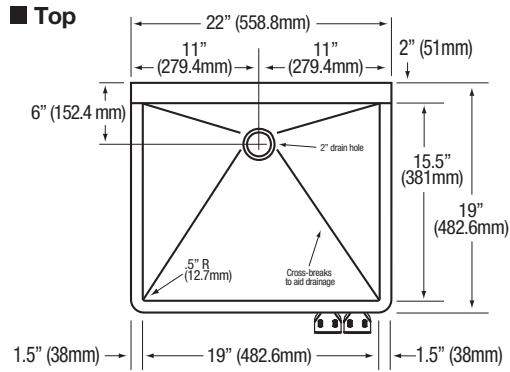
Date: _____

Approval: _____

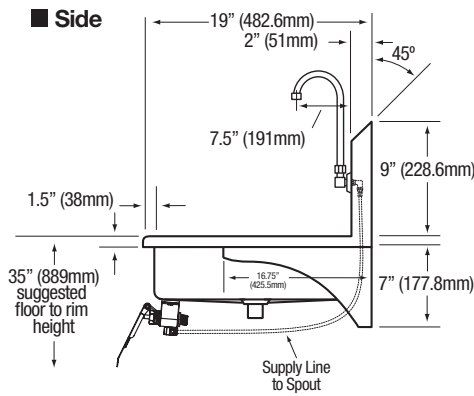
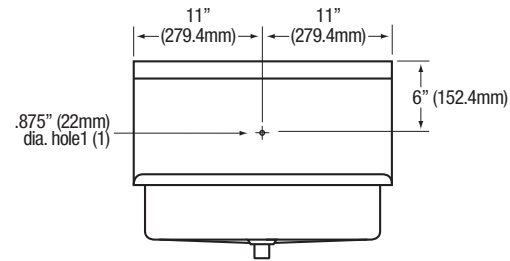
Notes:



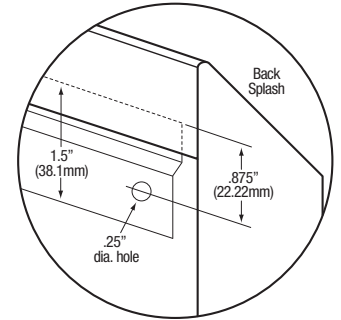
Hands-Free Wall Mount Stainless Steel Sink
Models 5A4 and 5A4-0.5



■ **Hole Configuration**



■ **Wall Mounting Detail**



■ **Supply Line Detail**

