



3-Person Hands-Free Floor Mount Stainless Steel Wash Station

Model	Flow-Rate
56FSL	Standard 2.0 GPM
56FSL-0.5	Low-Flow 0.5 GPM

Product Specifications

Constructed from welded #16 gauge type 304 stainless steel. The front, bottom and back are formed from a single sheet with a rolled rim on front and sides. Exposed surfaces have a blended uniform satin finish. Specially designed foot valves provide easy access to working parts without disconnecting mount or plumbing.

Outside Dimensions	60" x 20" x 45" High
Inside Bowl Size	57" x 16-1/2" x 8" Deep
Back Splash Height	10"
Water Activation	Double Foot Pedal Valve
Flow Rate	2 GPM
Inlet Connections	1/2" Male NPT
Drain Opening	2"
Finish	Satin
Strainer	1-1/2" Dia. Duo Basket Strainer

Includes

- (1) Floor mount wash station
- (1) Leg assembly set
- (4) Washers and nuts for connection sink to leg assembly set
- (3) Double foot pedal valve (bottom mount) with 2 nuts
- (3) Swivel gooseneck spout with aerator
- (3) Connecting tube for valve to spout connection
- (6) Fittings, brass, 0.375" male compression and 0.375" male NPT
- (1) Strainer assembly with basket

Product Compliance

NSF/ANSI 2 Food Equipment
NSF/ANSI 372 Low-Lead



Part: _____ Quantity: _____

Project: _____

Contact: _____

Date: _____

Approval: _____

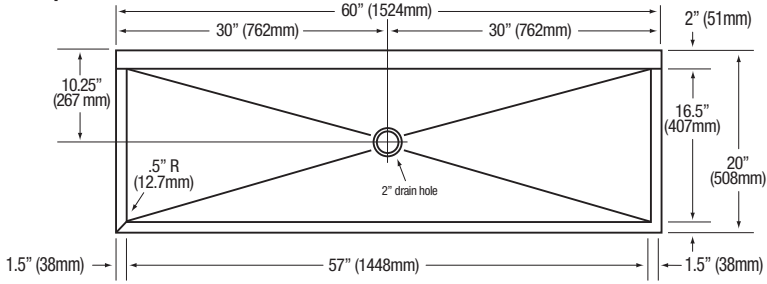
Notes:



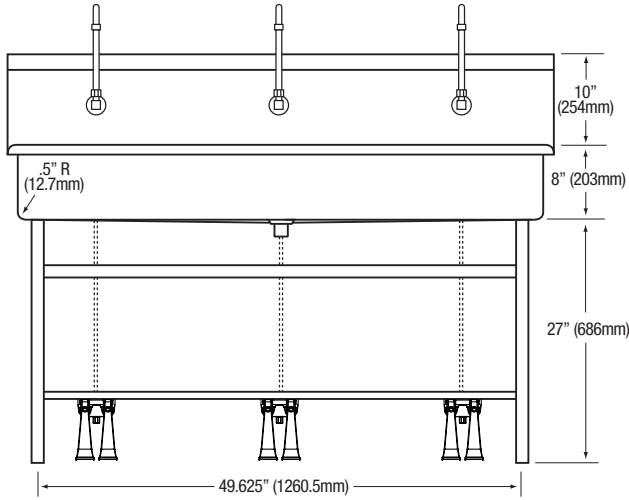
WARNING: Equipment that include faucets on this page may contain a chemical known to the State of California to cause cancer, birth defects or other reproductive harm.

**3-Person Hands-Free Floor Mount Stainless Steel Wash Station
Models 56FSL and 56FSL-0.5**

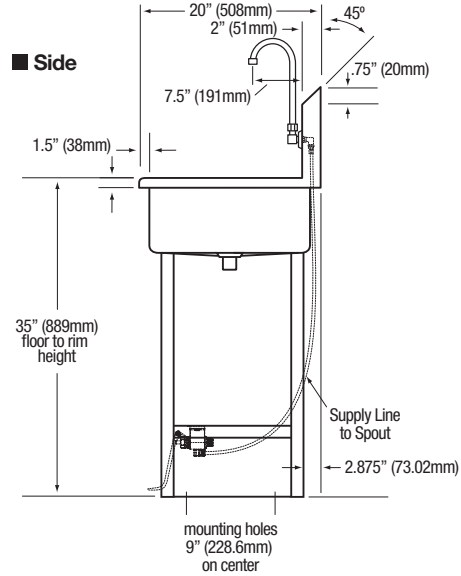
■ **Top**



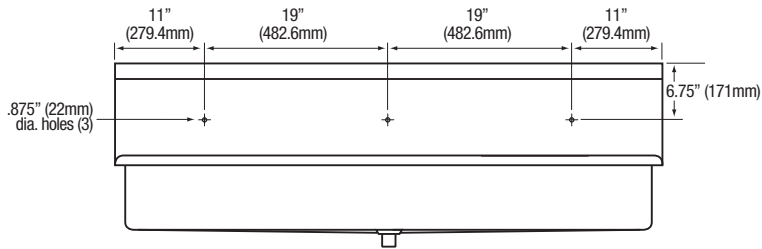
■ **Front**



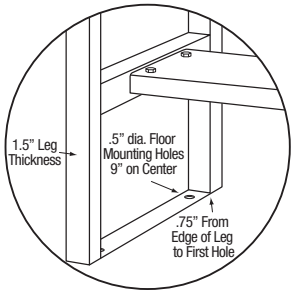
■ **Side**



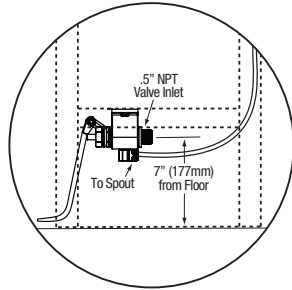
■ **Hole Configurations**



■ **Floor Mounting Detail**



■ **Plumbing Detail**



■ **Supply Line Detail**

