

**2-Person Floor Mount  
Stainless Steel Wash Station**

<b>Model</b>
54FO

**Product Specifications**

Constructed from welded #16 gauge type 304 stainless steel. The front, bottom and back are formed from a single sheet with a rolled rim on front and sides. Exposed surfaces have a blended uniform satin finish.

Outside Dimensions	40" x 20" x 45" High
Inside Bowl Size	37" x 16-1/2" x 8" Deep
Back Splash Height	10"
Faucet Mounting Holes	7/8" Dia.
Drain Opening	2"
Finish	Satin
Strainer	1-1/2" Dia. Duo Basket Strainer

**Includes**

- (1) Floor mount wash station
- (1) Leg assembly set
- (4) Washers and nuts for connecting sink to leg assembly set
- (1) Strainer assembly with basket

**Product Compliance**

NSF/ANSI 2 Food Equipment



Part: \_\_\_\_\_ Quantity: \_\_\_\_\_

Project: \_\_\_\_\_

Contact: \_\_\_\_\_

Date: \_\_\_\_\_

Approval: \_\_\_\_\_

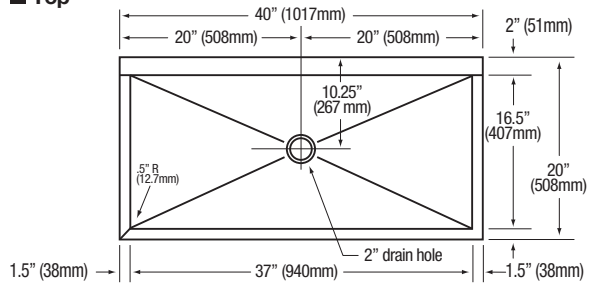
Notes:



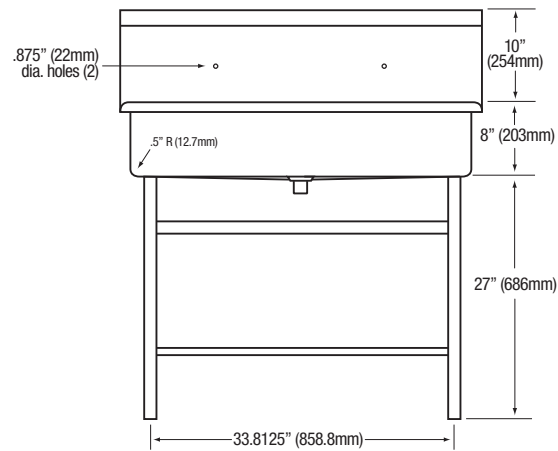
**WARNING:** Equipment that include faucets on this page may contain a chemical known to the State of California to cause cancer, birth defects or other reproductive harm.

**2-Person Floor Mount Stainless Steel Wash Station  
Model 54F0**

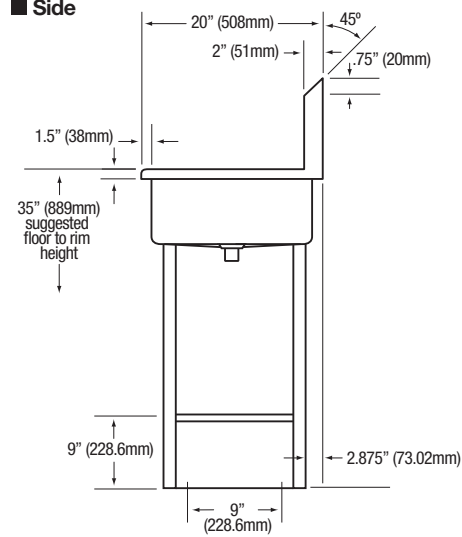
■ **Top**



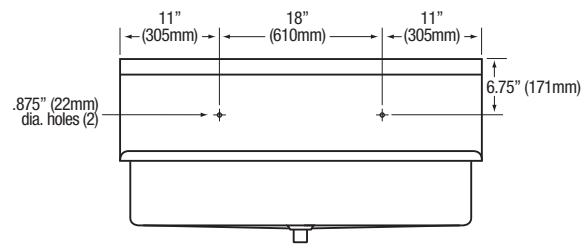
■ **Front**



■ **Side**



■ **Hole Configurations**



■ **Floor Mounting Detail**

