

Hands-Free Floor Mount Stainless Steel Sink

Model	Flow-Rate
5211	Standard 2.0 GPM
5211-0.5	Low-Flow 0.5 GPM

Product Specifications

Hands-Free operation is ideal for use in food service applications. Deep drawn from heavy duty 18-gauge type 304 stainless steel with large rounded corners. Exposed surfaces have an electropolished finish to enhance resistance to corrosion, reduce any bacterial growth and make for easier cleaning. Specially designed foot valve provides easy access to working parts without disconnecting mount or plumbing.

Outside Dimensions	21" x 20" x 41-1/2" High
Inside Bowl Size	19" x 16" x 10" Deep
Back Splash Height	9-1/2"
Water Activation	Single Foot Pedal Valve
Flow Rate	2 GPM
Inlet Connections	3/8" Male Compression
Drain Opening	2"
Finish	Electropolished
Strainer	1-1/2" Dia. Duo Basket Strainer

Includes

- (1) Sink bowl
- (1) Pedestal base
- (1) Set of 6 mounting nuts to attach bowl to pedestal base
- (1) Single foot pedal valve (bottom mount) with 2 nuts
- (1) Swivel gooseneck spout with aerator
- (1) Strainer assembly with basket
- (1) Connecting tubes for valve to spout connection
- (2) Fittings, brass, 0.375" male compression and 0.375" male NPT
- (1) Mixing check valve

Product Compliance

NSF/ANSI 2 Food Equipment
NSF/ANSI 372 Low-Lead



Part: _____ Quantity: _____

Project: _____

Contact: _____

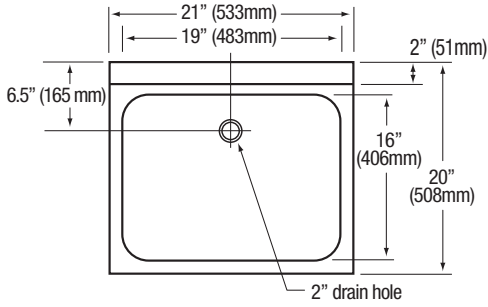
Date: _____

Approval: _____

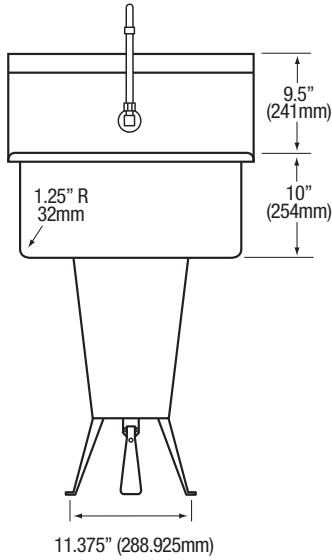
Notes:

**Hands-Free Floor Mount Stainless Steel Sink
Models 5211 and 5211-0.5**

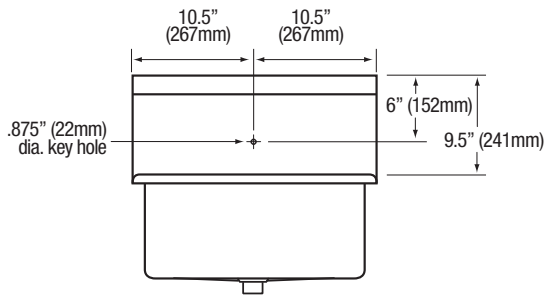
■ **Top**



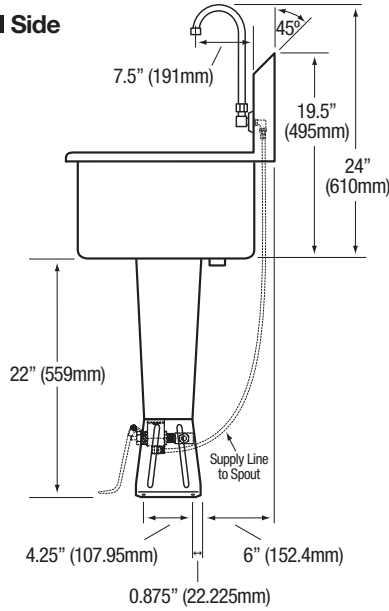
■ **Front**



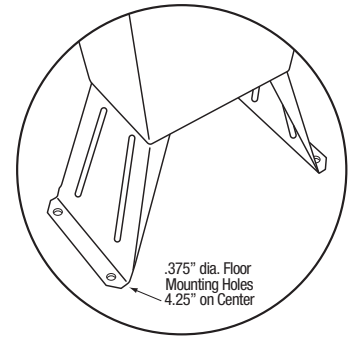
■ **Hole Configuration**



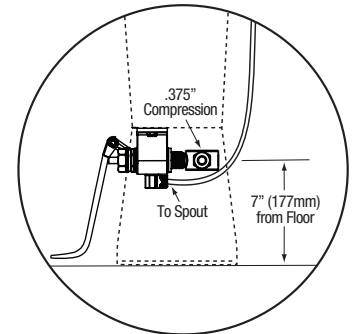
■ **Side**



■ **Floor Mounting Detail**



■ **Plumbing Detail**



■ **Supply Line Detail**

