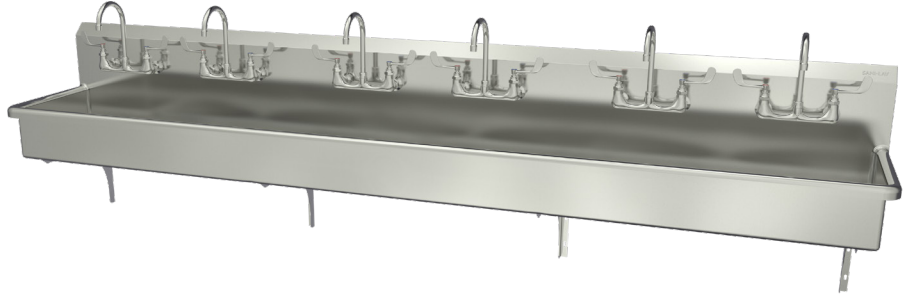


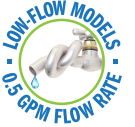
**6-Person Wall Mount
Stainless Steel Wash Station**



Model	Flow-Rate
512WFL	Standard 2.0 GPM
512WFL-0.5	Low-Flow 0.5 GPM

Product Specifications

Constructed from welded #16 gauge type 304 stainless steel. The front, bottom and back are formed from a single sheet with a rolled rim on front and sides. Exposed surfaces have a blended uniform satin finish.



Outside Dimensions	120" x 20" x 18" High
Inside Bowl Size	117" x 16-1/2" x 8" Deep
Back Splash Height	10"
Faucet Mounting Center	8"
Water Activation	Manual Faucet with 4" Handles
Flow Rate	2 GPM
Inlet Connections	1/2" Male NPT
Drain Opening	2"
Finish	Satin
Strainer	1-1/2" Dia. Duo Basket Strainer
Wall Mounting Bracket	1/4" Dia. Mounting Holes

Part: _____ Quantity: _____

Project: _____

Contact: _____

Date: _____

Approval: _____

Includes

- (1) Wall mount wash station
- (6) 8" on center faucet
- (6) Faucet mounting kit
- (4) Wall-mounting brackets
- (4) Support brackets
- (3) Strainer assembly with basket

Product Compliance

NSF/ANSI 2 Food Equipment
NSF/ANSI 61, Section 9
ASME A112.18.1/CSA B125



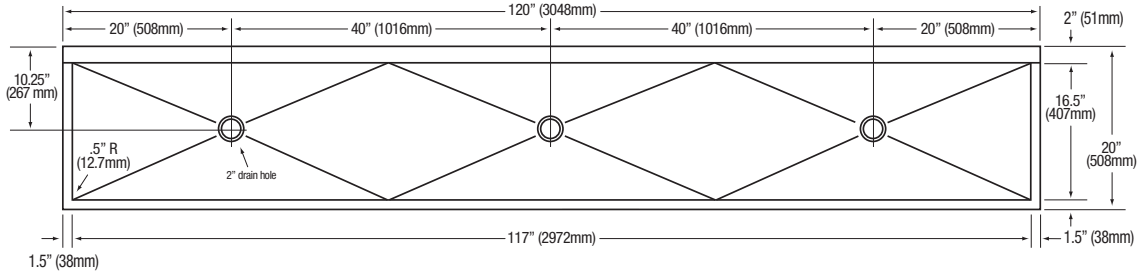
Notes:



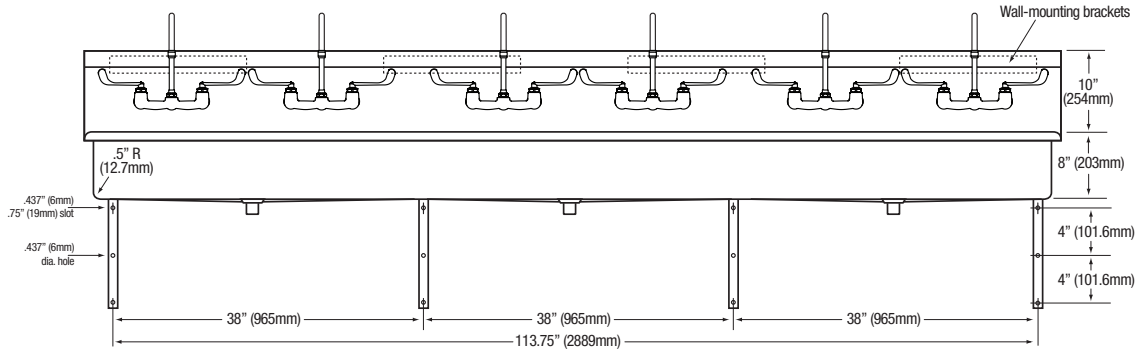
WARNING: Equipment that include faucets on this page may contain a chemical known to the State of California to cause cancer, birth defects or other reproductive harm.

6-Person Wall Mount Stainless Steel Wash Station
Models 512WFL and 512WFL-0.5

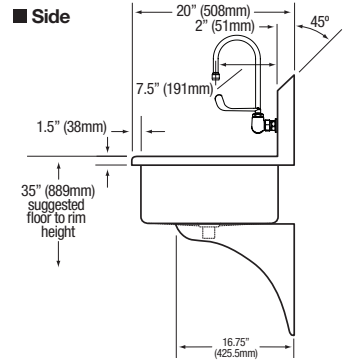
■ **Top**



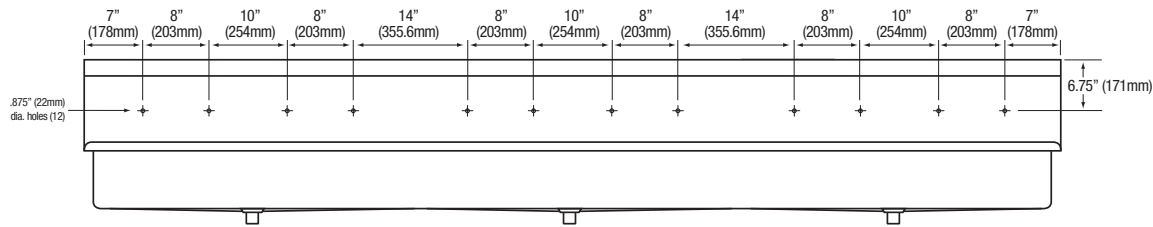
■ **Front**



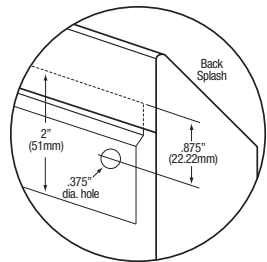
■ **Side**



■ **Hole Configurations**



■ **Wall Mounting Detail**



■ **Supply Line Detail**

