

**6-Person Wall Mount  
Stainless Steel Wash Station**



<b>Model</b>
512W8

**Product Specifications**

Constructed from welded #16 gauge type 304 stainless steel. The front, bottom and back are formed from a single sheet with a rolled rim on front and sides. Exposed surfaces have a blended uniform satin finish.

Outside Dimensions	120" x 20" x 18" High
Inside Bowl Size	117" x 16-1/2" x 8" Deep
Back Splash Height	10"
Faucet Mounting Center	8"
Faucet Mounting Holes	7/8" Dia.
Drain Opening	2"
Finish	Satin
Strainer	1-1/2" Dia. Duo Basket Strainer
Wall Mounting Bracket	1/4" Dia. Mounting Holes

**Includes**

- (1) Wall mount wash station
- (4) Wall-mounting brackets
- (4) Support brackets
- (3) Strainer assembly with basket

**Product Compliance**

NSF/ANSI 2 Food Equipment



Part: \_\_\_\_\_ Quantity: \_\_\_\_\_

Project: \_\_\_\_\_

Contact: \_\_\_\_\_

Date: \_\_\_\_\_

Approval: \_\_\_\_\_

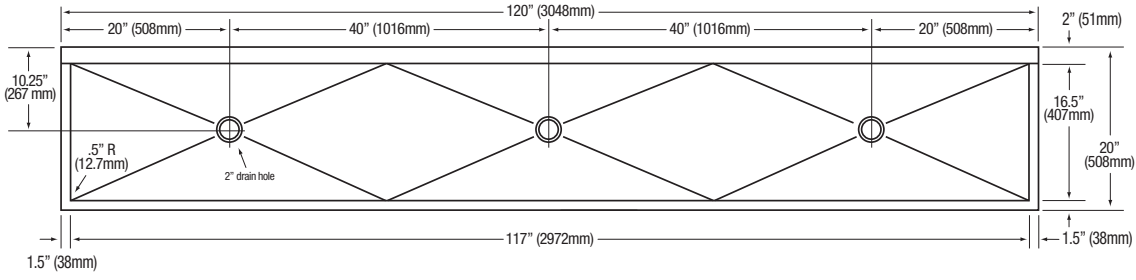
Notes:



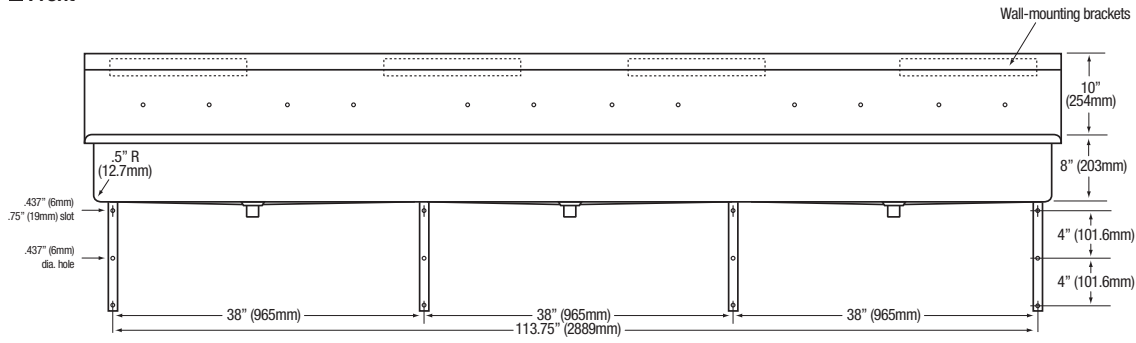
**WARNING:** Equipment that include faucets on this page may contain a chemical known to the State of California to cause cancer, birth defects or other reproductive harm.

**6-Person Wall Mount Stainless Steel Wash Station  
Model 512W8**

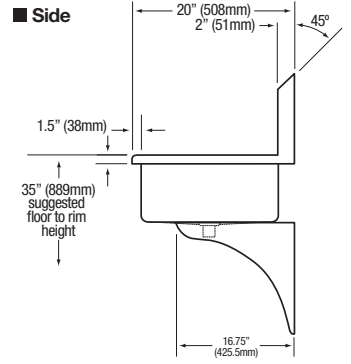
■ **Top**



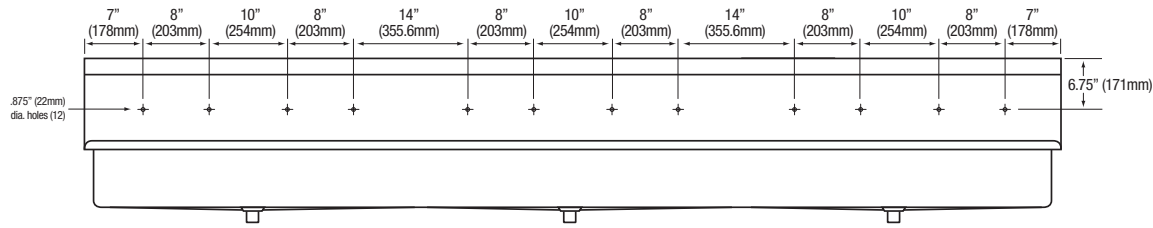
■ **Front**



■ **Side**



■ **Hole Configurations**



■ **Wall Mounting Detail**

