



**6-Person Floor Mount
Stainless Steel Wash Station**

Model
512FO

Product Specifications

Constructed from welded #16 gauge type 304 stainless steel. The front, bottom and back are formed from a single sheet with a rolled rim on front and sides. Exposed surfaces have a blended uniform satin finish.

Outside Dimensions	120" x 20" x 45" High
Inside Bowl Size	117" x 16-1/2" x 8" Deep
Back Splash Height	10"
Faucet Mounting Holes	7/8" Dia.
Drain Opening	2"
Finish	Satin
Strainer	1-1/2" Dia. Duo Basket Strainer

Includes

- (1) Floor mount wash station
- (1) Leg assembly set
- (8) Washers and nuts for connecting sink to leg assembly set
- (3) Strainer assembly with basket

Product Compliance

NSF/ANSI 2 Food Equipment



Part: _____ Quantity: _____

Project: _____

Contact: _____

Date: _____

Approval: _____

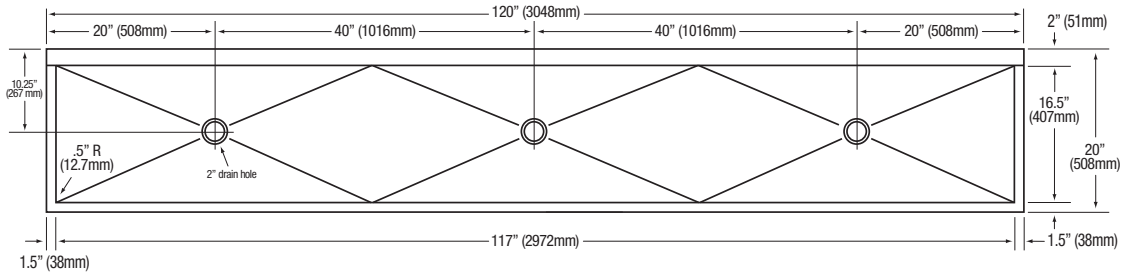
Notes:



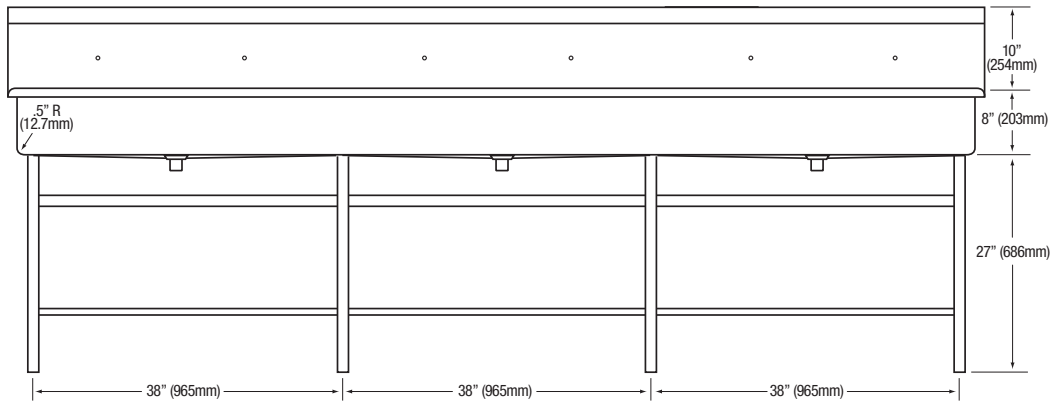
WARNING: Equipment that include faucets on this page may contain a chemical known to the State of California to cause cancer, birth defects or other reproductive harm.

6-Person Floor Mount Stainless Steel Wash Station Model 512F0

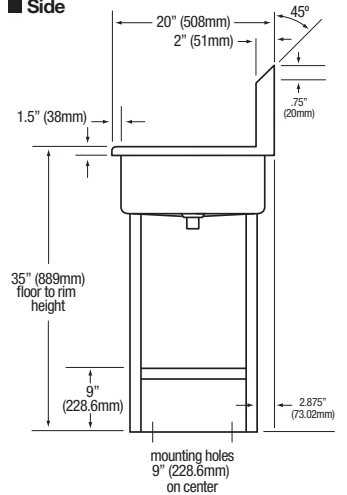
■ Top



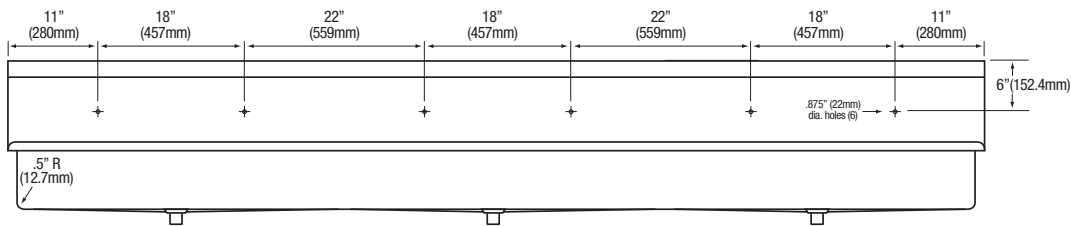
■ Front



■ Side



■ Hole Configurations



■ Floor Mounting Detail

