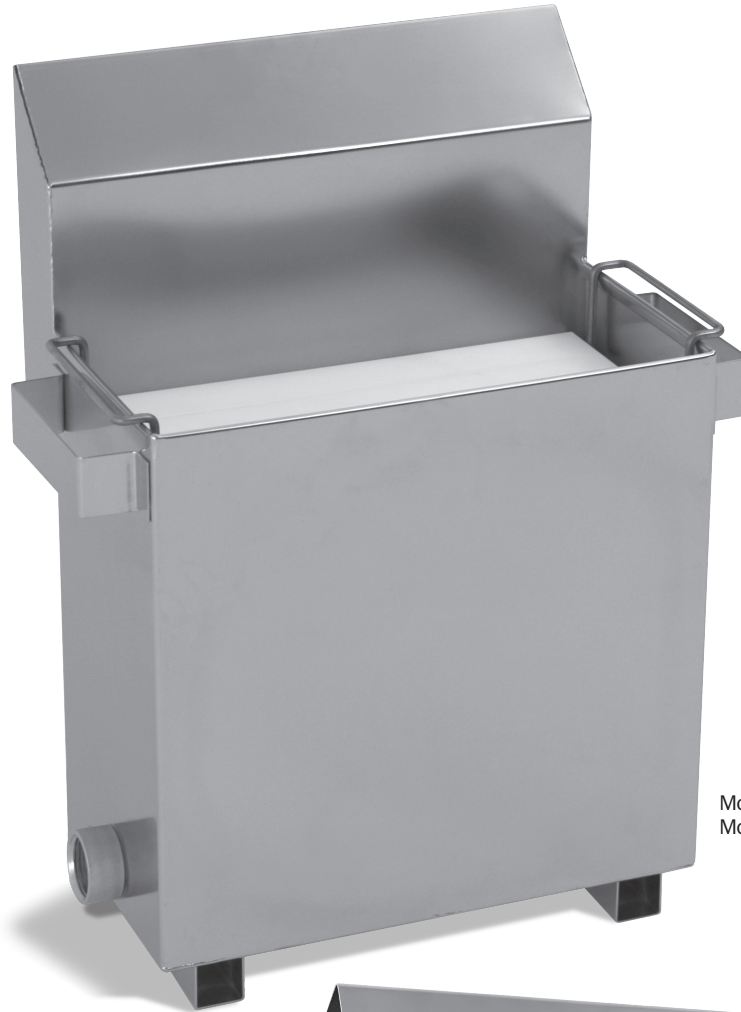


# COLUMBIA PRODUCTS SANI-LAV<sup>®</sup>

## Operating Manual for Superior Knife Sterilizer Combo Model 567



Model 567 Knife Sterilizer and  
Model 564 Slotted Knife Support

Model 550 Element Guard

**Instructions for Installing Heating Element** (sold separately).

All Heating Elements have a 1" standard NPT male thread for through-the-side tank installation in knife sterilizers with 1" NPT threaded female flange. These models also come with a stainless steel nut and rubber washer for installation in knife sterilizers with a 1.25" hole.

**Knife Sterilizers with a 1" NPT threaded female flange:**

1. Remove the jam nut and rubber gasket (Illustration A).
2. Install pipe tape on threads (Illustration B).
3. Screw the heating element into the 1" NPT flange until tight. (Illustration C).
4. Fill box with water before turning unit on.

**Knife Sterilizers with a 1.25" hole only:**

1. Remove the jam nut only, leaving the rubber gasket in place.
2. Insert the heating element through the 1.25" opening.
3. Reinstall the jam nut (Illustration D).
4. Tighten the jam nut securely.
5. Fill box with water before turning unit on.

**Caution:** Heating Elements must be fully submerged at all times. Low liquid level will cause burn-out. Do not immerse or spray box, these units are not water proof.

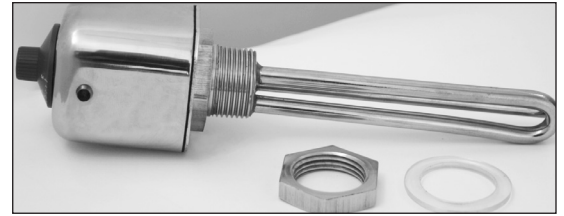


Illustration A



Illustration B

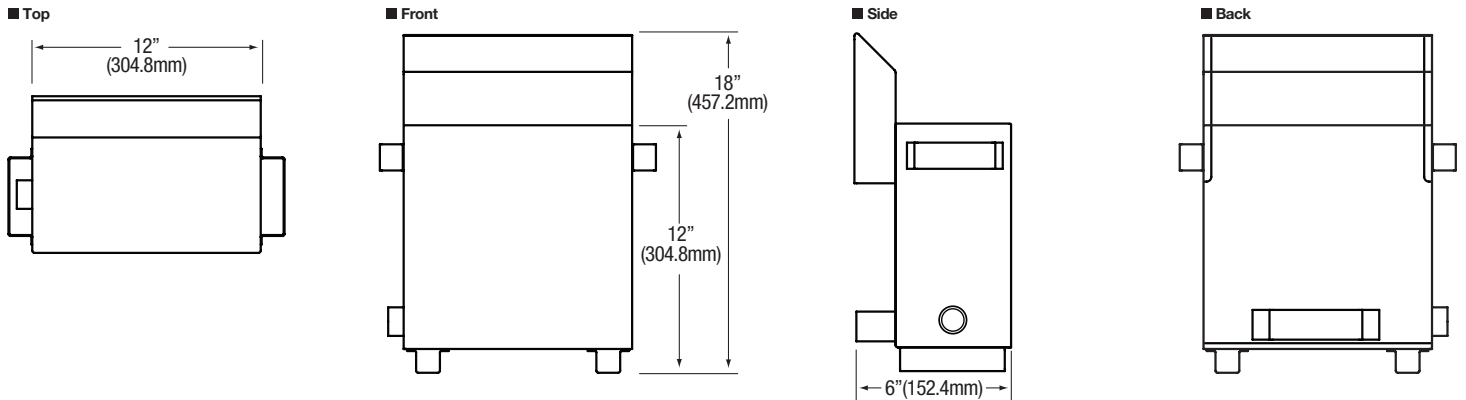


Illustration C

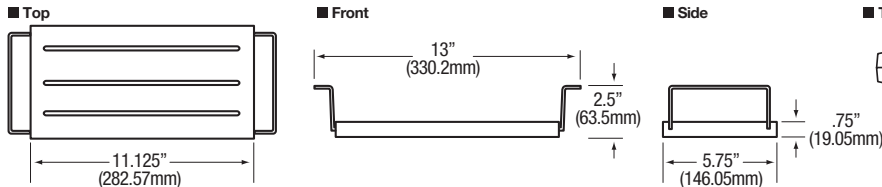


Illustration D

**Model 567**



**Model 564**



**Model 550**

