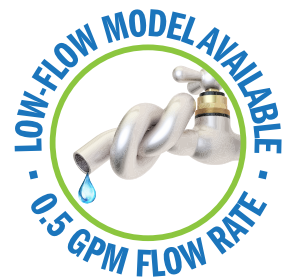
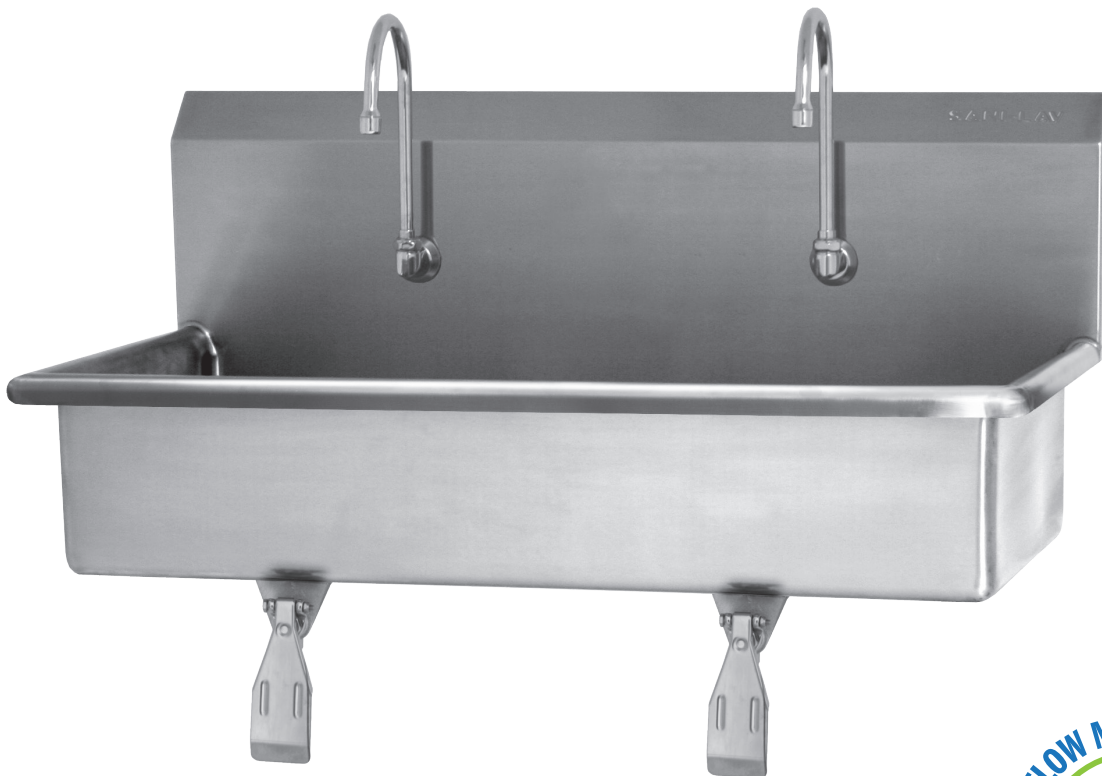


COLUMBIA PRODUCTS

SANI-LAV[®]

Operating Manual for Two-Person Hands-Free Wall Mounted Wash Stations
Models 54W1 and 54W1-0.5



Columbia does not recommend use with harsh chemicals.
NSF/ANSI Standard 2 - Food Equipment and NSF/ANSI 372 low-lead.

Parts List

- (1) Wall mount wash station
- (2) Single knee pedal valve with 4 nuts
- (2) Swivel gooseneck spout with aerator
- (2) Connecting tube for valve to spout connection
- (4) Fittings, brass, 0.375" male compression and 0.375" male NPT
- (2) Mixing check valve
- (2) Wall-mounting brackets
- (2) Support brackets
- (1) Strainer assembly with basket

Tools Required

- Tape Measure
- Adjustable Wrench
- Drill Motor and Drill Bits
- Pipe Wrench
- Level
- Safety Glasses
- Screw Drivers: 1 Phillips & 1 Standard
- Pencil
- Socket Wrench

Installation Instructions

Step 1

1. Establish Sink location on the wall.
2. Measure a recommended 45" from finished floor and draw a level line which will be the top edge of the wall mounting bracket.
3. Hold the wall mounting bracket against the wall and mark the wall where the holes are. Drill holes and secure bracket to the wall as shown in illustration A. Screws are not provided.

Step 2

1. Install spout assemblies to the sink.
2. Install elbow fitting (provided) to the spout assemblies.
3. Connect supply lines (provided) to the spout assemblies.
4. Install strainer assembly.

Step 3

1. Position Sink onto the wall bracket.
2. Mount Support Bracket to the bottom of the sink. Do not tighten.
3. Slide or push support brackets against the wall and mark holes for fastening. See illustration B.
4. Remove Support Brackets from the sink and drill holes for fastening.
5. Install fastening hardware to the drilled holes. (not included)
6. Mount support bracket to the bottom of the sink and fasten them to the wall.

Step 4

1. Install Knee Pedal valves onto the sink.
2. Install elbow fittings to the Knee Pedal valves.
3. Connect the connecting tubes from the Spouts to the Knee Pedal Valves.

Step 5

1. Connect waste line or drain pipe to the strainer assembly.
2. Connect Hot and Cold water supply line to the water source.

Step 6

1. Remove aerator from the spout assembly and flush water system. Check connections for leaks. Replace aerator onto the spout assembly.
2. We recommend sealing top of backsplash to wall as shown in illustration C.

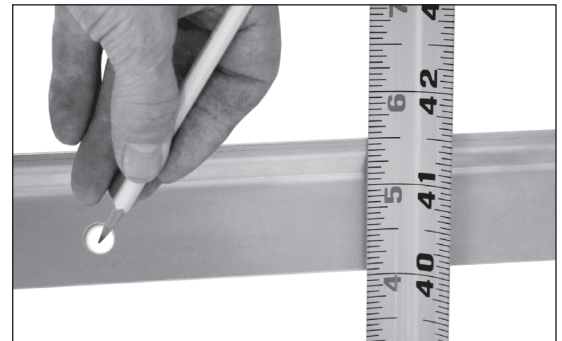


Illustration A



Illustration B



Illustration C

Notice for California Consumers

WARNING: This product can expose you to chemicals including Chromium (hexavalent compounds), Lead, and Phthalates (DEHP) which are known to the State of California to cause cancer and birth defects or other reproductive harm. For more information go to www.P65Warnings.ca.gov.

NOTE: Lead content originates from Brass components in valves and faucets and is certified under NSF/ANSI 372 as containing less than 0.25% lead in wetted surfaces.

Trouble Shooting Guide

Problem	Possible Cause	To Diagnose	Remedy
Water drips from spout or valve stem assembly.	Flat washer on the stem/plunger is worn.	To determine if the leak source is from the hot or cold side shut cold water source off. See if water still leaks from the spout. If leak continues then repair hot side if not repair cold side	We recommend installing valve repair kit.
Water leaks from the front of the valve.	O-Rings on the plunger are worn out.	Visually determine whether the cold or hot side is leaking.	We recommend replacing threaded insert, plunger assembly & spring. See illustrations below.

Valve Repair Instructions

Note: Valves are designed to be repaired without having to be disconnected from mount or plumbing.

1. Turn off water source. Do not remove valve from sink.
2. Remove pedal assembly using a 15/16" open end wrench or socket wrench. As shown in illustration A.
3. Using a 1" deep socket wrench or closed end wrench remove insert assembly as shown in illustration B.
4. Replace with new repair kit as shown on illustration C.
5. Reinstall pedal assembly and turn water source on.



Illustration A



Illustration B

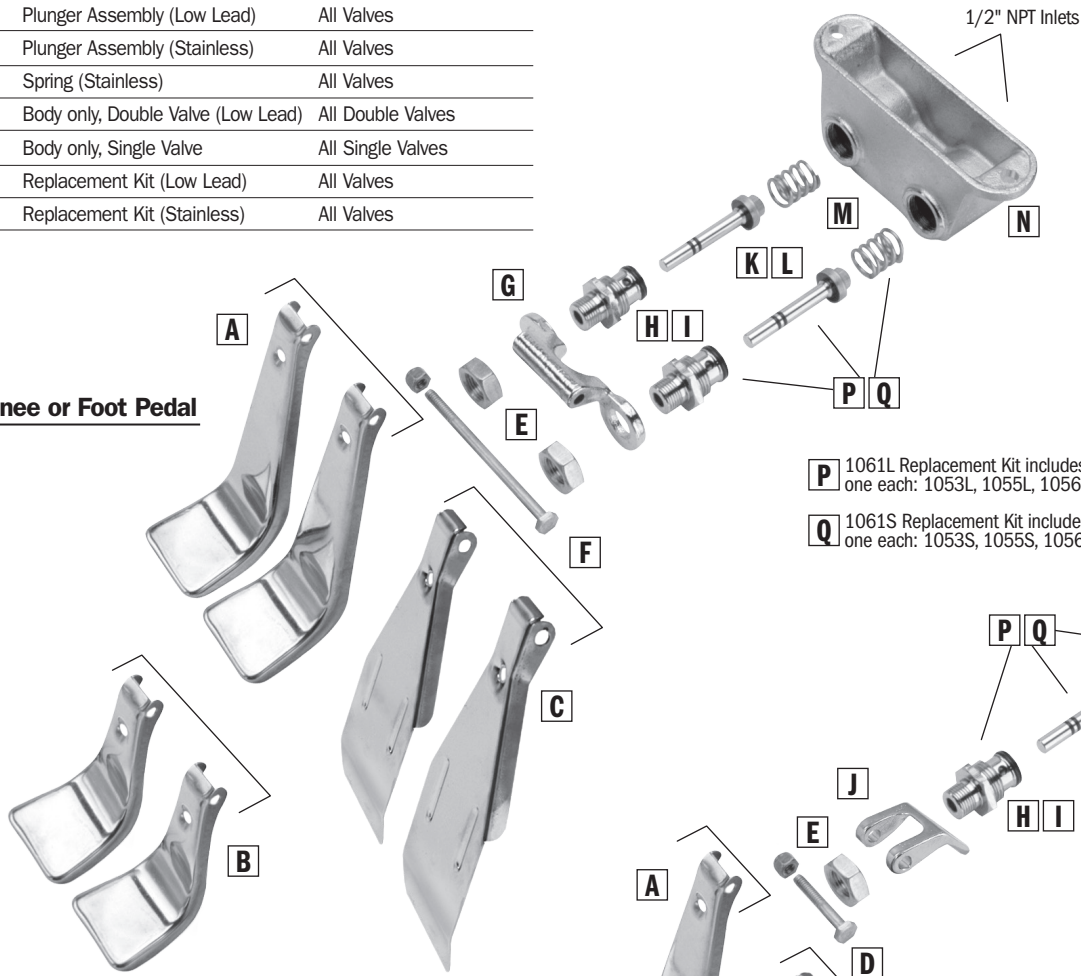


Illustration C

Replacement Parts

Part No.	Description	Application
A 1041	Operated, Long Foot	103/104/105/106 (S) (L)
B 1042	Operated, Short Foot	101/102 (S) (L)
C 1043	Operated, Knee	109/110/111/112 (S) (L)
D 1049	Bolt & Nut Set (Stainless)	All Single Valves
E 1050	Jam Nut (Stainless)	All Valves
F 1051	Bolt & Nut Set (Stainless)	All Double Valves
G 1052	Bracket	All Double Valves
H 1053	Threaded Insert (Low Lead)	All Valves
I 1053S	Threaded Insert (Stainless)	All Valves
J 1054	Bracket	All Single Valves
K 1055	Plunger Assembly (Low Lead)	All Valves
L 1055S	Plunger Assembly (Stainless)	All Valves
M 1056	Spring (Stainless)	All Valves
N 1057	Body only, Double Valve (Low Lead)	All Double Valves
O 1058	Body only, Single Valve	All Single Valves
P 1061L	Replacement Kit (Low Lead)	All Valves
Q 1061S	Replacement Kit (Stainless)	All Valves

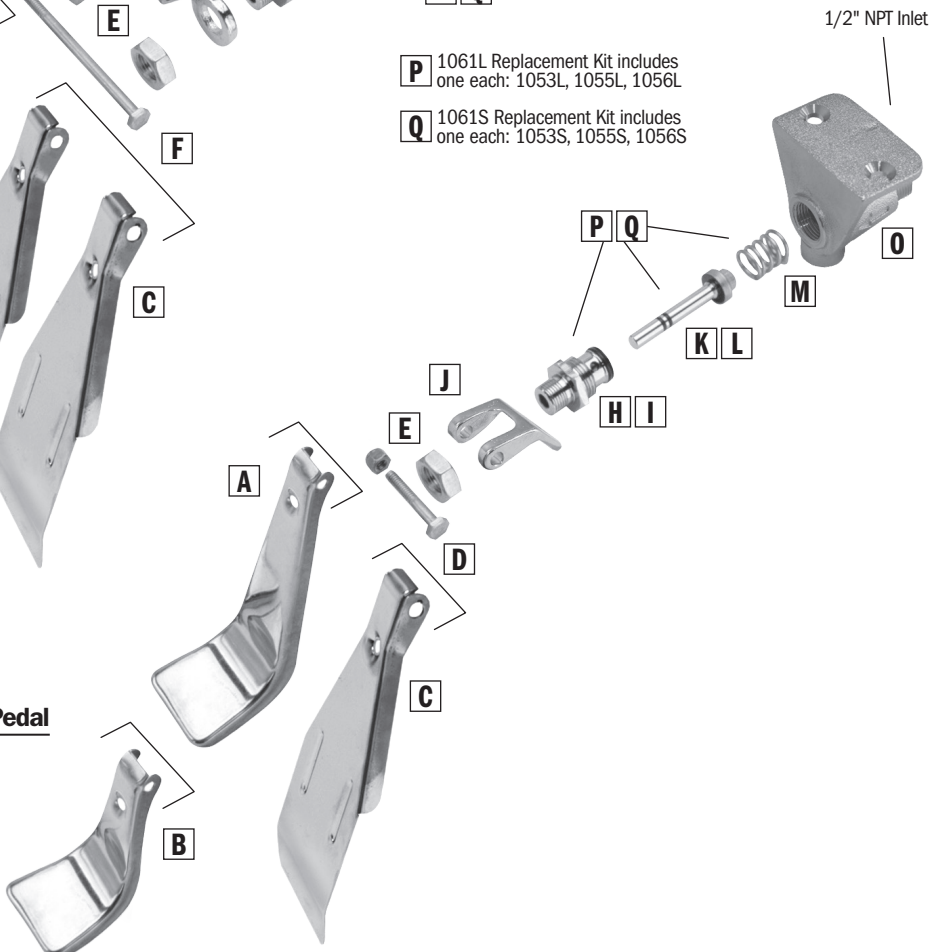
Double Knee or Foot Pedal



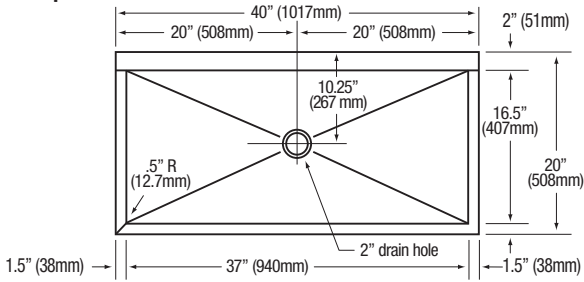
P 1061L Replacement Kit includes one each: 1053L, 1055L, 1056L

Q 1061S Replacement Kit includes one each: 1053S, 1055S, 1056S

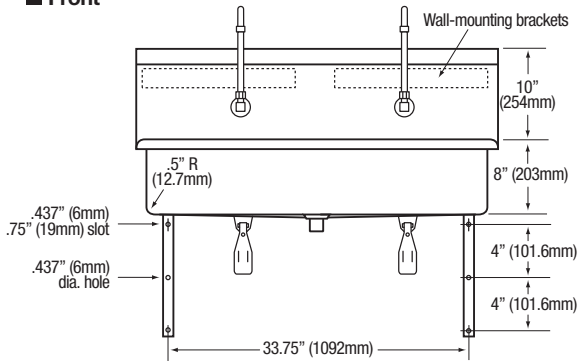
Single Knee or Foot Pedal



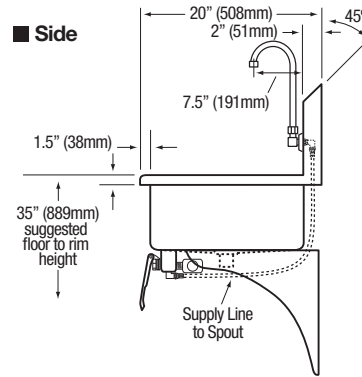
■ Top



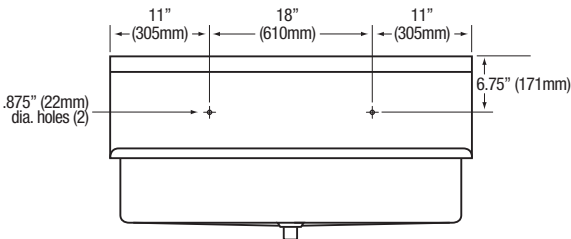
■ Front



■ Side



■ Hole Configurations



■ Floor Mounting Detail

■ Supply Line Detail

