

# COLUMBIA PRODUCTS

## SANI-LAV<sup>®</sup>

### Operating Manual for Hands-Free Floor Mounted Sink Model 501



Sinks manufactured by Columbia Products are designed and constructed for hand washing and not for potable water. Columbia does not recommend use with harsh chemicals.



## Parts List

- (1) Floor Mount Sink – Model 501
- (1) Double Foot Pedal Valve (bottom mount) with 2 nuts – Model 105
- (1) Swivel Gooseneck Spout with Aerator – Model 2003
- (1) Strainer Assembly with Basket – Model 1010
- (1) Connecting Tube for Valve to Spout Connection – Model 1007
- (2) Fittings, brass, 0.375" male compression and 0.375" male NPT – Model 1008
- (1) Soap Dispenser, Pump Type, 16 oz. with Holder (top discharge) and (3) each nuts and bolts – Model 563

## Tools Required

- Tape Measure
- Adjustable Wrench
- Drill Motor and Drill Bits
- Pipe Wrench
- Level
- Safety Glasses
- Screw Drivers: 1 Phillips & 1 Standard
- Pencil

## Installation Instructions

### Step 1

1. Place sink at the desired location
2. Mark the floor where the four holes are at the pedestal base as shown in illustration A.
3. Drill holes as required for mounting hardware. (Hardware not included)

### Step 2

1. Install spout assembly to the sink.
2. Install elbow fitting (provided) to the spout assembly.
3. Connect one side of the supply line (provided) to the spout assembly.
4. Install soap dispenser holder with bolts & nuts (provided).
5. Install strainer assembly.

### Step 3

1. Install elbow fitting onto the double pedal valve
2. Install double foot pedal valve under the pedestal base if not mounted already.
3. Attach connecting tube model 1007 from the spout to the double foot pedal valve.

### Step 4

1. Mount pedestal sink to the floor.
2. Connect wasteline or drain pipe to strainer assembly.
3. Connect water supplies (hot and cold) onto the double foot pedal valve.

### Step 5

1. Remove aerator from the spout assembly and flush water system. Check connections for leaks. Replace aerator onto the spout assembly.



Illustration A



## Trouble Shooting Guide

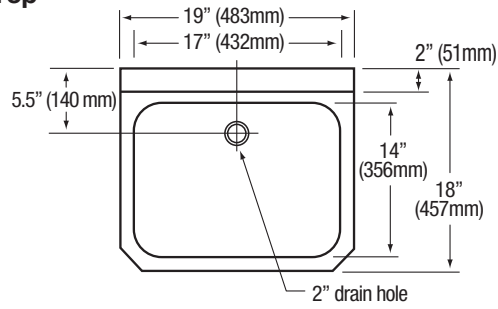
Problem	Possible Cause	To Diagnose	Remedy
Water drips from spout or valve stem assembly.	Flat washer on the stem/plunger is worn.	To determine if the leak source is from the hot or cold side shut cold water source off. See if water still leaks from the spout. If leak continues then repair hot side if not repair cold side.	We recommend installing faucet repair kit (replacement kit model 1062).

## Faucet Repair Instructions

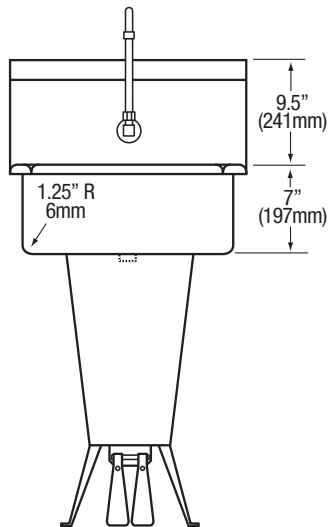
Note: Faucets are designed to be repaired without having to be disconnected from mount or plumbing.

1. Turn water source off.
2. Remove hot or cold handle from leaky side using a phillips screwdriver.
3. Remove stem valve assembly using a pipe wrench or socket wrench.
4. Replace defective parts with repair kit model 1062. Detailed instructions provided with repair kit.
5. Reinstall valve assembly and handle.

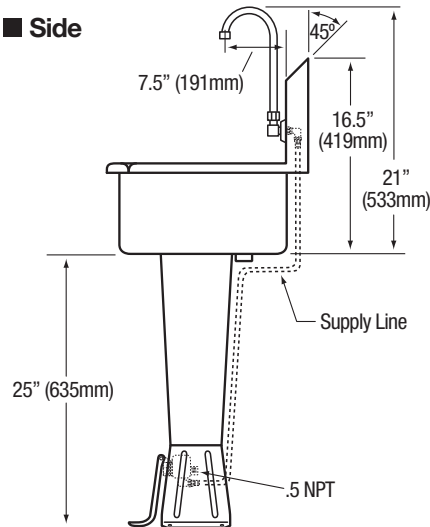
■ Top



■ Front



■ Side



■ Hole Configurations

